

KOMET (TWIN) VOLUME GUNS



Komet 101/SR



* Price includes one nozzle.

Available in 18°, 21°, or 24° angle trajectory

Product	Description	Part Number	Weight	List Price
101/SR w/nozzle-Twin - 18° pivot	part	7-0231	20.9	1,144.00
Twin 101/Plus PC-24 deg		6-9769	20.9	1,144.00
Twin 101/Plus PC-VA 10-28 deg		6-9770	23.2	1,463.00
Twin 101/Plus FC-24 deg		6-9771	18.7	858.00
Waste Water Twin 101/Plus PC-24 deg		6-9772	20.9	1,259.00
Waste Water Twin 101/Plus PC-VA 10-28 deg		6-9773	23.2	1,610.00
Waste Water Twin 101/Plus FC-24 deg		6-9774	18.7	945.00
Dust Suppression, Twin 101/Plus PC-44 deg		6-9775	20.9	1,373.00
Dust Suppression, Twin 101/Plus PC-VA 28-24 deg		6-9776	23.2	1,756.00
Twin 140/Plus PC-VA 10-28 deg		6-9777	22.1	1,914.00
Dust Suppression, Twin 140/Plus PC-44 deg		6-9778	22.1	1,889.00
Dust Suppression, Twin 140/Plus PC-VA 28-46 deg		6-9779	25.4	2,297.00
Twin 160/Plus PC-24 deg		6-9780	29.8	1,817.00
Twin 160/Plus PC-VA 16-28 deg		6-9781	34.2	2,401.00
Twin 160/Plus FC-24 deg		6-9782	25.4	1,363.00
Waste Water Twin 160/Plus PC-24 deg		6-9783	29.8	1,998.00
Waste Water Twin 160/Plus PC-VA 16-28 deg		6-9784	34.2	2,642.00
Waste Water Twin 160/Plus FC-24 deg		6-9785	25.4	1,498.00
Twin 202/Plus PC-VA 16-28 deg		6-9786	35.3	2,537.00
140/SR w/nozzle 24 deg		7-0251	22.1	1,574.00
202/SR w/nozzle 24 deg		7-0300	30.9	2,015.00

Twin 101 Taper bore nozzle >>> Trajectory 24°

PSI	Nozzle 0.47"		Nozzle 0.65"		Nozzle 0.63"		Nozzle 0.71"		Nozzle 0.79"		Nozzle 0.87"		Nozzle 0.94"	
	GPM	DIA.	GPM	DIA.	GPM	DIA.	GPM	DIA.	GPM	DIA.	GPM	DIA.	GPM	DIA.
30	-	-	48	187'	62	201'	79	217'	97	232'	118	247'	140	260'
40	40	183'	55	203'	72	220'	91	234'	112	250'	136	265'	162	279'
50	45	197'	62	215'	80	232'	102	250'	125	267'	152	283'	181	300'
60	50	212'	67	230'	88	247'	111	266'	138	282'	167	298'	198	315'
70	54	225'	73	244'	95	262'	120	280'	149	297'	180	314'	214	323'
80	57	237'	78	257'	102	276'	129	294'	159	312'	192	329'	229	344'
90	61	248'	83	269'	108	289'	137	308'	169	326'	204	343'	243	359'
100	64	257'	87	280'	114	300'	144	320'	178	339'	215	357'	256	374'
110	67	265'	91	290'	119	310'	151	331'	186	351'	225	369'	268	388'

Twin 140 Taper bore nozzle >>> Trajectory 24°

PSI	Nozzle 0.63"		Nozzle 0.71"		Nozzle 0.79"		Nozzle 0.87"		Nozzle 0.94"		Nozzle 1.02"		Nozzle 1.10"		Nozzle 1.18"	
	GPM	DIA.	GPM	DIA.	GPM	DIA.	GPM	DIA.	GPM	DIA.	GPM	DIA.	GPM	DIA.	GPM	DIA.
30	62	201'	79	217'	97	232'	118	247'	140	260'	164	275'	191	286'	219	300'
40	72	220'	91	234'	112	250'	136	265'	162	279'	190	293'	220	307'	253	318'
50	80	232'	102	250'	125	267'	152	283'	181	300'	212	315'	246	330'	283	343'
60	88	247'	111	266'	138	282'	167	298'	198	315'	233	331'	270	347'	310	360'
70	95	262'	120	280'	149	297'	180	314'	214	323'	251	347'	291	362'	334	376'
80	102	276'	129	294'	159	312'	192	329'	229	344'	269	361'	311	376'	358	391'
90	108	289'	137	308'	169	326'	204	343'	243	359'	285	376'	330	392'	379	407'
100	114	300'	144	320'	178	339'	215	357'	256	374'	300	390'	348	407'	400	422'
110	119	310'	151	331'	186	351'	225	369'	268	388'	315	404'	365	421'	419	437'
120	125	318'	158	341'	195	362'	235	380'	280	400'	329	416'	381	432'	437	448'

Twin 160 Taper bore nozzle >>> Trajectory 24°

PSI	Nozzle 0.69"		Nozzle 0.79"		Nozzle 0.89"		Nozzle 0.98"		Nozzle 1.08"		Nozzle 1.18"		Nozzle 1.28"		Nozzle 1.38"	
	GPM	DIA.	GPM	DIA.	GPM	DIA.	GPM	DIA.	GPM	DIA.	GPM	DIA.	GPM	DIA.	GPM	DIA.
40	85	221'	110	229'	139	239'	172	254'	208	268'	248	279'	291	291'	337	301'
50	95	256'	123	269'	156	284'	192	302'	233	317'	277	333'	325	348'	377	364'
60	104	283'	135	294'	171	315'	211	334'	255	350'	303	367'	356	386'	413	401'
70	113	296'	146	308'	184	332'	227	350'	275	371'	328	390'	384	407'	446	422'
80	120	305'	156	321'	197	345'	243	364'	294	384'	350	404'	411	421'	476	436'
90	128	310'	165	329'	209	352'	258	374'	312	395'	371	413'	436	429'	506	444'
100	135	314'	174	334'	220	357'	272	379'	329	401'	392	418'	459	434'	533	450'
110	141	317'	182	336'	231	359'	285	382'	345	404'	411	421'	482	438'	559	453'
120	147	318'	191	339'	241	363'	298	385'	360	407'	429	424'	503	442'	584	456'

Twin 202 Taper bore nozzle / Trajectory 24°

PSI	Nozzle 0.79"		Nozzle 0.89"		Nozzle 0.98"		Nozzle 1.08"		Nozzle 1.18"		Nozzle 1.28"		Nozzle 1.38"		Nozzle 1.58"	
	GPM	DIA.	GPM	DIA.	GPM	DIA.	GPM	DIA.	GPM	DIA.	GPM	DIA.	GPM	DIA.	GPM	DIA.
40	110	229'	139	239'	172	254'	208	268'	248	279'	291	291'	337	301'	387	309'
50	123	269'	156	284'	192	302'	233	317'	277	333'	325	348'	377	364'	433	377'
60	135	294'	171	315'	211	334'	255	350'	303	367'	356	386'	413	401'	474	414'
70	146	308'	184	332'	227	350'	275	371'	328	390'	384	407'	446	422'	512	435'
80	156	321'	197	345'	243	364'	294	384'	350	404'	411	421'	476	436'	547	450'
90	165	329'	209	352'	258	374'	312	395'	371	413'	436	429'	506	444'	580	457'
100	174	334'	220	357'	272	379'	329	401'	392	418'	459	434'	533	450'	612	461'
110	182	336'	231	359'	285	382'	345	404'	411	421'	482	438'	559	453'	642	465'
120	191	339'	241	363'	298	385'	360	407'	429	424'	503	442'	584	456'	670	469'

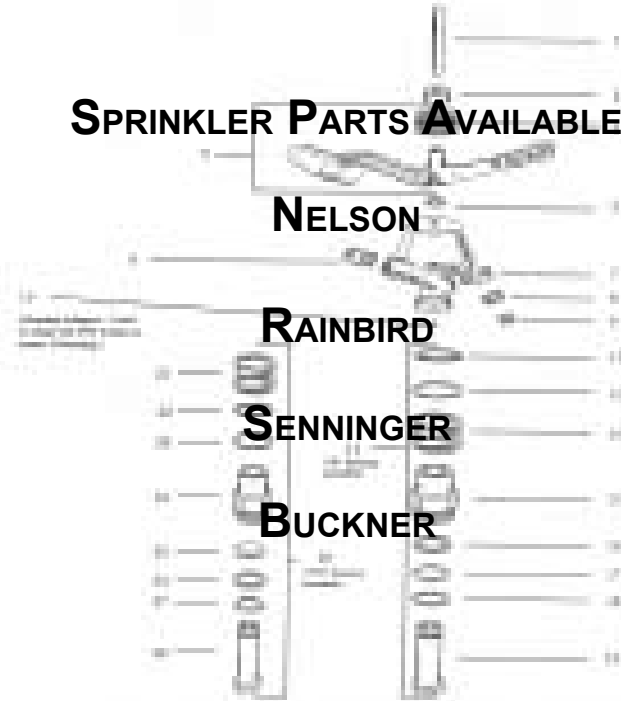
Gun Stands/Sprinklers

Product**Description****Part Number****Weight****List Price**

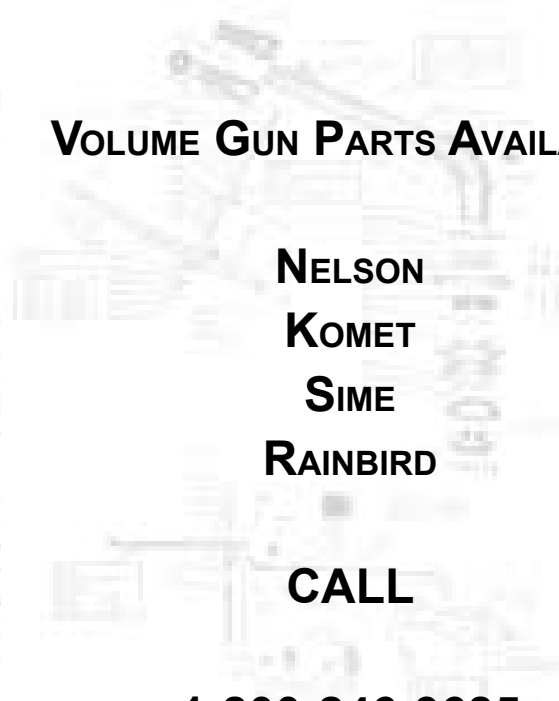
Volume Gun Comparison

<u>Gun</u>	<u>Part #</u>	<u>GPM</u>	<u>Ave GPM</u>	<u>Diameter</u>	<u>Ave Dia</u>	<u>List</u>
River	7-0325	23-131	77	120-228	174	\$395.00
Skipper	7-0303	23-215	119	120-282	201	\$410.00
Mercury	7-0304	23-215	119	120-282	201	\$640.00
Twin 101SR	7-0231	40-268	154	183-388	286	\$1,144.00
Nelson SR100	7-0295	47-304	176	191-380	286	\$1,202.07
Big River	7-0305	119-378	249	196-354	275	\$995.00
Twin 140SR	7-0251	62-437	250	201-448	325	\$1,574.00
Nelson SR150	7-0250	100-545	323	250-460	355	\$2,004.68
Twin 160SR	6-9780	110-584	347	229-456	343	\$1,817.00
Mariner	7-0306	173-571	372	274-440	357	\$1,075.00
Polaris	7-0326	263-598	431	302-418	360	\$1,125.00
Twin 202SR	7-0300	110-762	436	229-476	353	\$2,015.00
Gemini	7-0307	319-1110	715	328-570	449	\$1,365.00
Nelson SR200	7-0290	250-1210	730	345-620	483	\$4,706.00

SPRINKLER PARTS AVAILABLE



VOLUME GUN PARTS AVAILABLE

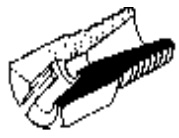


NOZZLES & PRESS REGULATORS

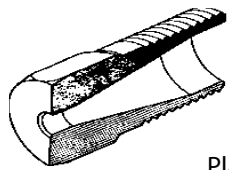
Product	Description	Part Number	Weight	List Price
NOZZLE (FOR 3/4" SPRINKLER)	Range 1/8"	.125	7-0360	0.79
	Range - 9/64"	.140625	7-0330	0.79
	Range - 5/32"	.15625	7-0331	0.79
	Range - 11/64"	.171875	7-0332	0.79
	Range - 3/16"	.1875	7-0333	0.79
	Range - 13/64"	.203125	7-0334	0.79
	Range - 7/32"	.21875	7-0335	0.79
	Range - 15/64"	.234375	7-0336	0.79
	Range - 1/4"	.25	7-0337	0.79
	Range - 17/64"	.265625	7-0338	0.79
	Range - 9/32"	.28125	7-0339	0.79
	Back Plug		7-0342	0.70
	Spreader - 20° - 3/32"	.09375	7-0340	0.98
	Spreader - 20° - 7/64"	.109375	7-0366	0.98
	Spreader - 20° - 1/8"	.125	7-0341	0.98
	Spreader - 20° - 9/64"	.140625	7-0362	0.98
	Spreader - 20° - 5/32"	.15625	7-0361	0.98
	Spreader - 20° - 11/64"	.171875	7-0364	0.98
	Spreader - 20° - 3/16"	.1875	7-0365	0.98
	Spreader - 20° - 7/32"	.21875	7-0363	0.98
Vanes for #30 (push-in)		6-9692	0.60	



Order vane separately.



NOZZLE (FOR 1" SPRINKLER)	Brass:	Range - 7/32"	.21875	7-0343	4.72	
		Range - 1/4"	.25	7-0344	4.72	
		Range - 9/32"	.28125	7-0345	4.72	
		Range - 5/16"	.3125	7-0346	4.72	
		Range - 11/32"	.34375	7-0347	4.72	
		Range - 3/8"	.375	7-0348	4.72	
		Range - 13/32"	.40625	7-0349	4.72	
		*above for Rainbird #65 & #70				
		Plastic:	Range - #14 - 7/32"	.21875	7-0350	1.00
			Range - #16 - 1/4"	.25	7-0351	1.00
		Range - #18 - 9/32"	.28125	7-0352	1.00	
		Range - #20 - 5/16"	.3125	7-0353	1.00	
		Range - #22 - 11/32"	.34375	7-0354	1.00	
		Range - #24 - 3/8"	.3375	7-0355	1.00	
	*above for Senninger #7025					



BEARING ASSEMBLY (FOR #30 RAINBIRD)		7-0356	7.50
---	--	--------	------



PRESSURE REGULATOR					
	3/4" x 3/4"	15psi	7-0310	0.4	13.00
	3/4" x 3/4"	20psi	7-0311	0.4	13.00
	3/4" x 3/4"	25psi	7-0312	0.4	13.00
	3/4" x 3/4"	30psi	7-0313	0.4	13.00
	3/4" x 3/4"	40psi	7-0314	0.4	13.00
	3/4" x 3/4"	50psi	7-0315	0.4	13.00
	1-1/4" x 1"	10psi	7-0316	0.6	26.00
	1-1/4" x 1"	15psi	7-0317	0.6	26.00
	1-1/4" x 1"	20psi	7-0318	0.6	26.00
	1-1/4" x 1"	30psi	7-0319	0.6	26.00
	1-1/4" x 1"	40psi	7-0320	0.6	26.00
	1-1/4" x 1"	50psi	7-0321	0.6	26.00

Both ends are Female threaded.
Male available upon request.
Also available as 1" x 1". Please call for price.

Gun Stands/Sprinklers

RIVER GEAR DRIVE SPRINKLERS

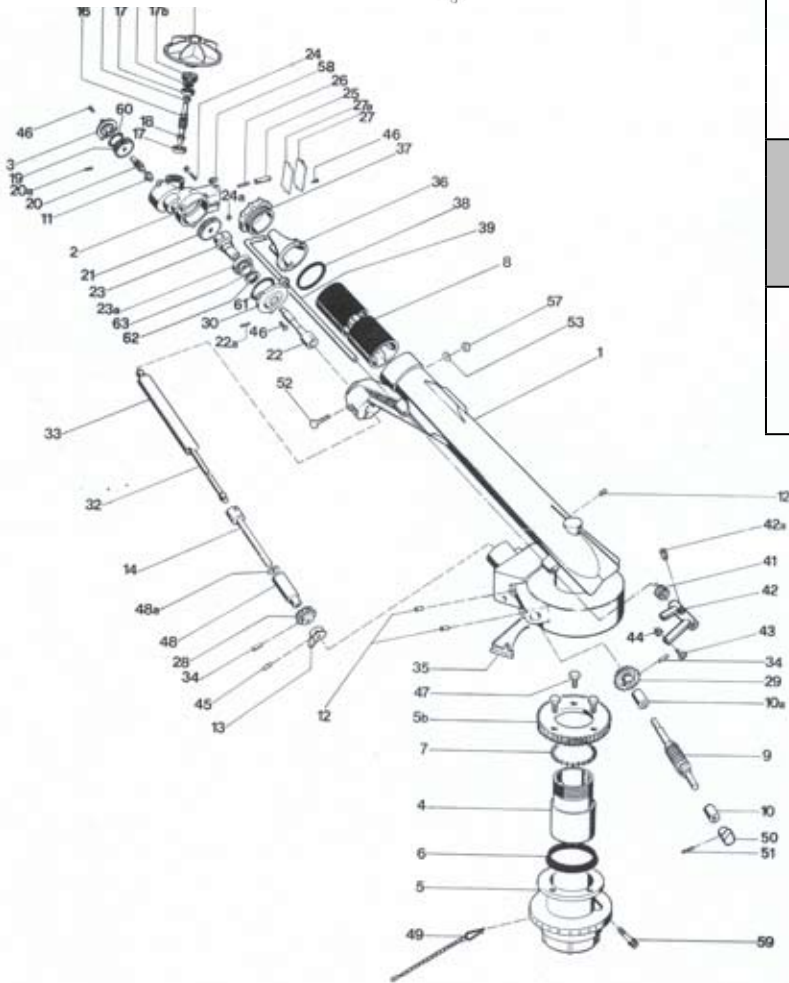


Product	Description	Part Number	Weight	List Price
RIVER (P-190)	River w/nozzle	part 7-0325	10.4	395.00



1 1/2" FPT base
Includes 3 nozzles
120' - 228' Diameter

River 190 28 Degree				
Nozzle Diameter		Pressure	Diameter	Discharge
Inch	MM	PSI	Feet	GPM
0.4	10	29	120	23
		37	132	26
		44	136	28
		56	150	33
0.47	12	37	136	38
		44	144	41
		51	156	44
		56	170	47
0.55	14	37	136	51
		44	150	56
		51	164	61
		66	176	68
0.63	16	44	164	73
		51	176	79
		56	188	84
0.71	18	70	204	94
		44	164	92
		56	204	107
		70	216	119
		85	228	131



Gear-driven sprinklers are ideal for use on delicate seeds and plants or on heavy soils where light, gentle applications are required. Smooth running, continuous rotation makes these ideal for use on tripods, travelers or as an end sprinkler on pivots. All nozzles come complete with 22° and 28° trajectory nozzles. Companion flanges included.

- Advantages of "Sime" green Italian gear-driven volume sprinklers
- Smooth, continuous rotation with superior stream break-up and less vibration compared to impact driven guns.
 - Gentle sweeps are ideal for tender crops such as carrots, spinach, green beans, etc.
 - Give better coverage due to their rapid rotation (average 90 seconds).
 - Will run in lower temperatures without freezing.
 - Includes flip nozzles allowing one gun to have 22 & 28 degree capabilities.
 - Full & part-circle arc adjustments require no tools.
 - Priced lower than impact-driven volume guns.
 - Optional 25° nozzle available.

RIVER GEAR DRIVE SPRINKLERS

ITEM #	DESCRIPTION	PART #	LIST PRICE
	River		
1	Sprinkler Body	30168	\$153.10
2	Gearbox	30169	40.30
02	Complete Gearbox	10053	310.60
02am	Complete American Gearbox	10169	446.20
03	Gearbox Cover	10378	11.40
4	Internal Body	30172	46.60
05	Complete Crown	10054	192.50
05a	Crown	10380	78.80
5b	Toothed Ring	30175	36.30
6	U-Packing	30176	8.30
7	Sphere (35 required)	30177	0.20
8	Rectifier	30178	7.50
9	Endless Screw	30628	35.00
10	External Body Bearing	30180	4.60
10a	Internal Body Bearing	30181	4.40
11	Pinion Bearing	30182	2.50
12	Grub Screw	30183	0.80
13	Inversion Lever	30184	8.00
14	Complete Shaft	10084-S	14.00
15	Propeller	30186	26.30
15a	Du-Bearing For Gearbox	30677	6.90
16	Endless Screw	30628	35.00
16a	Grub Screw	30187	0.80
017	Bearing House	10293	26.30
17a	Du-Bearing	30189	6.90
18	Blind Bearing	30190	9.90
19	Toothed Wheel	30191	20.60
20	Gearbox Pinion	30192	11.20
020	Complete Pinion	10365-S	35.00
20a	Pin For Pinion	30193	0.40
21	Gearbox Gear	30109	14.90
22	Gearbox Shaft	30195	13.20
22a	Pin	30196	0.40
023	Gearbox Support	10411	30.60
23a	Ball Bearing	30198	20.20
24	Screw	30199	0.80
24a	Nut	30200	0.20
25	Spring House	30201	5.10

ITEM #	DESCRIPTION	PART #	LIST PRICE
26	Inversion Spring	30203	\$1.80
27	Cover	30204	2.80
28	Gear Z11	30205	7.00
29	Gear Z14	30206	7.70
30	Cover	30207	6.90
32	Shafting Bar	20031	10.10
33	Shafting Bar Cover	20032	8.10
34	Elastic Pin	30208	0.20
35	Inversion Lever Cover	30209	3.90
36	Nozzle 10Mm (.40"), River	30210-10	10.50
36	Nozzle 12Mm (.47"), River	30210-12	10.50
36	Nozzle 14Mm (.55"), River	30210-14	10.50
36	Nozzle 16Mm (.63"), River	30210-16	10.50
36	Nozzle 18Mm (.71"), River	30210-18	10.50
37	Nozzle Lock Ring	30211	4.90
38	Nozzle Packing	30567	0.90
039	Complete Jet-Breaker	10091-S	13.20
41	Spring For Lever	30214	2.20
42	Stream Breaker Lever	30215	9.30
042	Complete Stream Breaker Lever	10055	19.70
42a	Grub Screw	30216	0.50
43	Screw For Lever	30217	4.10
44	Nut	30218	1.40
45	Grub Screw	30219	1.20
46	Screw	30220	0.30
47	Screw	30220	0.30
048	Shaft Bearing	10398-S	9.40
48a	Washer	30223	0.80
049	Inversion Cotter Pin	10086-S	10.30
50	Cam	30227	2.60
51	Elastic Pin	30228	0.80
52	Screw	30229	1.40
53	Washer	30230	0.30
54	Grease Nipple	30231	1.80
57	Nut	30232	0.40
58	Grease Nipple	30233	0.90
59	Grease Nipple	30234	2.20

Gun Stands/Sprinklers

SKIPPER GEAR DRIVE SPRINKLERS



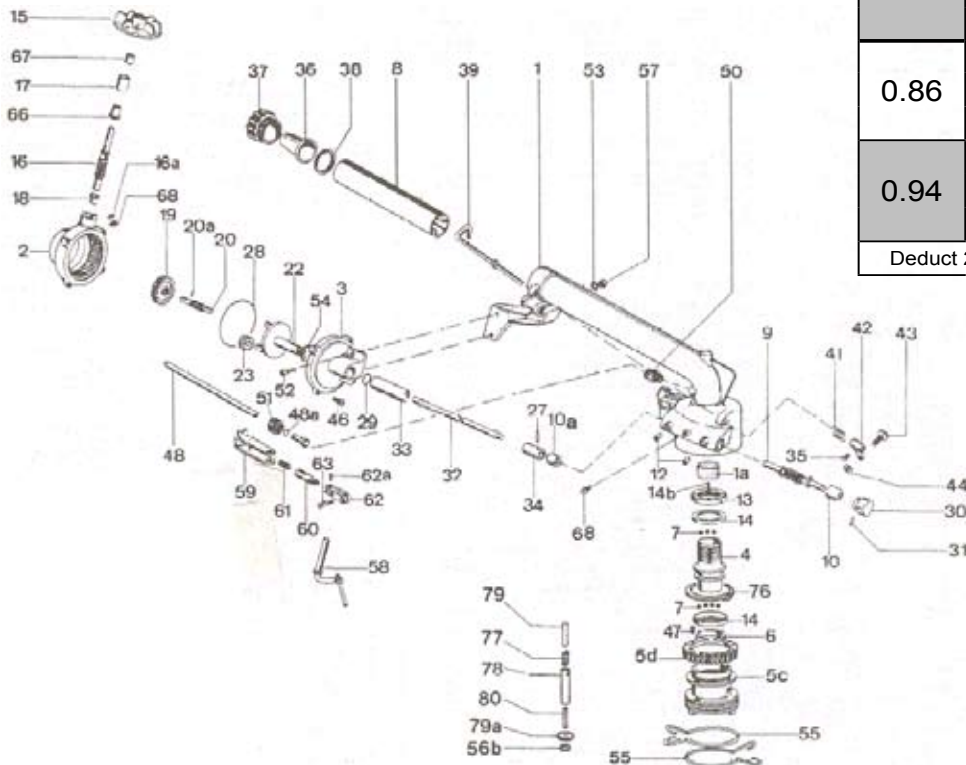
Product	Description	Part Number	Weight	List Price
SKIPPER (P-191)	Skipper w/nozzle high speed	part 7-0303	14.0	410.00
	Skipper Tool (to open gear box)	6-9582		32.00



1 1/2" FPT
Includes 5 flip nozzles for 22° & 28° angles.
144' - 268' Diameter

Skipper 191 28 Degree				
Nozzle Diameter		Pressure	Diameter Discharge	
Inch	MM	PSI	Feet	GPM
0.4	10	29	120	23
		37	132	26
		44	136	28
		56	150	33
0.47	12	29	144	42
		44	164	51
		56	184	59
		70	202	66
0.55	14	29	156	51
		44	176	66
		56	196	76
		70	216	86
0.63	16	29	170	68
		44	190	83
		56	208	96
		70	228	107
0.71	18	29	182	54
		44	202	106
		56	222	124
		70	242	137
0.78	20	29	196	93
		44	216	106
		56	242	124
		70	268	163
0.86	22	44	236	161
		51	254	186
		56	274	209
0.94	24	44	248	167
		51	262	193
		56	282	215

Deduct 2% for 25 deg and 5% for 22 deg nozzles.



SKIPPER GEAR DRIVE SPRINKLERS

ITEM #	DESCRIPTION	PART #	LIST PRICE
	Skipper		
1	Sprinkler Body	10402-S	\$179.40
2	Complete Gearbox	10148-S	279.90
2	Gearbox	30737	40.30
3	Gearbox Cover	30738	17.10
4	Internal Body	30739	43.30
5	Crown	10379	76.60
05/C	Complete Mounted Crown	10149-S	161.00
5d	Ring Crown	3010377	28.00
6	U-Packing	30743	8.30
7	Sphere (44 required)	30077	0.20
8	Rectifier	30178	7.50
9	Body Endless Screw	30745	36.70
10	External Bearing	30746	4.60
10a	Internal Bearing	30747	4.40
11	Pinion Bearing	30748	2.50
12	Grub Screw	30183	0.80
13	Threaded Ring For Crown	20108	18.40
14	Ball Bearing Ring	20109	14.90
14b	Grub Screw	30752	0.60
15	Propeller	30753	23.60
16	Endless Screw	30628	35.00
16a	Grub Screw	30187	0.80
17	Bearing House	10293	26.30
18	Blind Bearing	30190	9.90
19	Toothed Wheel	30191	20.60
20	Gearbox Pinion	30755	10.90
20a	Pin For Pinion	30193	0.40
22	Planetary Slow	10255	30.30
23	Slow Speed Gear	30758	2.80
28	O-Ring 2237	30613	1.30
29	O-Ring 121	30678	0.50
30	Cam	30227	2.60
31	Elastic Pin	30228	0.80
32	Shafting Bar	20107	10.60
33	Shafting Bar Cover	20162	9.30
35	Grub Screw	30216	0.50
36	Nozzle, Standard 25 Deg, 10Mm (.40")	30566-10	10.50
36	Nozzle, Standard 25 Deg, 12Mm (.47")	30566-12	10.50
36	Nozzle, Standard 25 Deg, 14Mm (.55")	30566-14	10.50
36	Nozzle, Standard 25 Deg, 16Mm (.63")	30566-16	10.50
36	Nozzle, Standard 25 Deg, 18Mm (.71")	30566-18	10.50
36	Nozzle, Standard 25 Deg, 20Mm (.78")	30566-20	10.50
36	Nozzle, Standard 25 Deg, 22Mm (.86")	30566-22	10.50
36	Nozzle, Standard 25 Deg, 24Mm (.94")	30566-24	10.50
36a	Nozzle, Flip 22/28 Deg, 10Mm (.40")	3010354-10	10.50
36a	Nozzle, Flip 22/28 Deg, 12Mm (.47")	3010354-12	10.50

ITEM #	DESCRIPTION	PART #	LIST PRICE
36a	Nozzle, Flip 22/28 Deg, 14Mm (.55")	3010354-14	\$10.50
36a	Nozzle, Flip 22/28 Deg, 16Mm (.63")	3010354-16	10.50
36a	Nozzle, Flip 22/28 Deg, 18Mm (.71")	3010354-18	10.50
36a	Nozzle, Flip 22/28 Deg, 20Mm (.78")	3010354-20	10.50
36a	Nozzle, Flip 22/28 Deg, 22Mm (.86")	3010354-22	10.50
36a	Nozzle, Flip 22/28 Deg, 24Mm (.94")	3010354-24	10.50
37	Nozzle Lock Ring	30211	4.90
38	Packing For Nozzle	30567	0.90
39	Jet-Breaker	10183-S	13.20
41	Jet-Breaker Ring	30764	2.50
42	Complete Jet-Breaker Lever	10150	19.70
42	Jet-Breaker Lever	30765	8.80
43	Screw For Lever	30217	4.10
44	Nut	30218	1.40
46	Screw	30767	0.20
47	Screw	30768	0.20
48	Secondary Pipe	20112	21.50
48a	O-Ring D. 17,6 X 10 X 3,8	30734	0.70
50	Secondary Nozzle	30770	19.80
51	Ferrule	30771	12.40
52	Screw	30578	1.00
53	Washer	30772	0.20
54	Washer	30773	1.20
55	Inversion Ring	30774	19.70
56b	Nut M4	30839	0.40
57	Nut	30511	0.70
58	Central Shaft	10191-S	27.80
59	Inversion Fork	10366	38.10
59a	Pin For Fork	30778	0.80
60	Spring House	30779	8.40
61	Inversion Spring	301093	2.80
62	Complete Inversion Lever Clamp	10295	34.80
62a	Pin For Clamp	30782	0.90
63	Screw	30783	0.40
64a	Spring For Bolt	30785	0.70
65	Bearing	30786	3.10
66	Du Bearing	30677	6.90
67	Du Bearing	30189	6.90
68	Grease Nipple	30233	0.90
75	Washer D. 5	30959	0.60
76	Seeger	3010378	8.30
77	Spring	3010379	1.80
78	Spacer	3010380	2.80
79	Shafting Bar	3010381	4.10
79a	Washer	3010382	0.70
80	Prisoner	3010383	6.50

Gun Stands/Sprinklers

MERCURY GEAR DRIVE SPRINKLERS



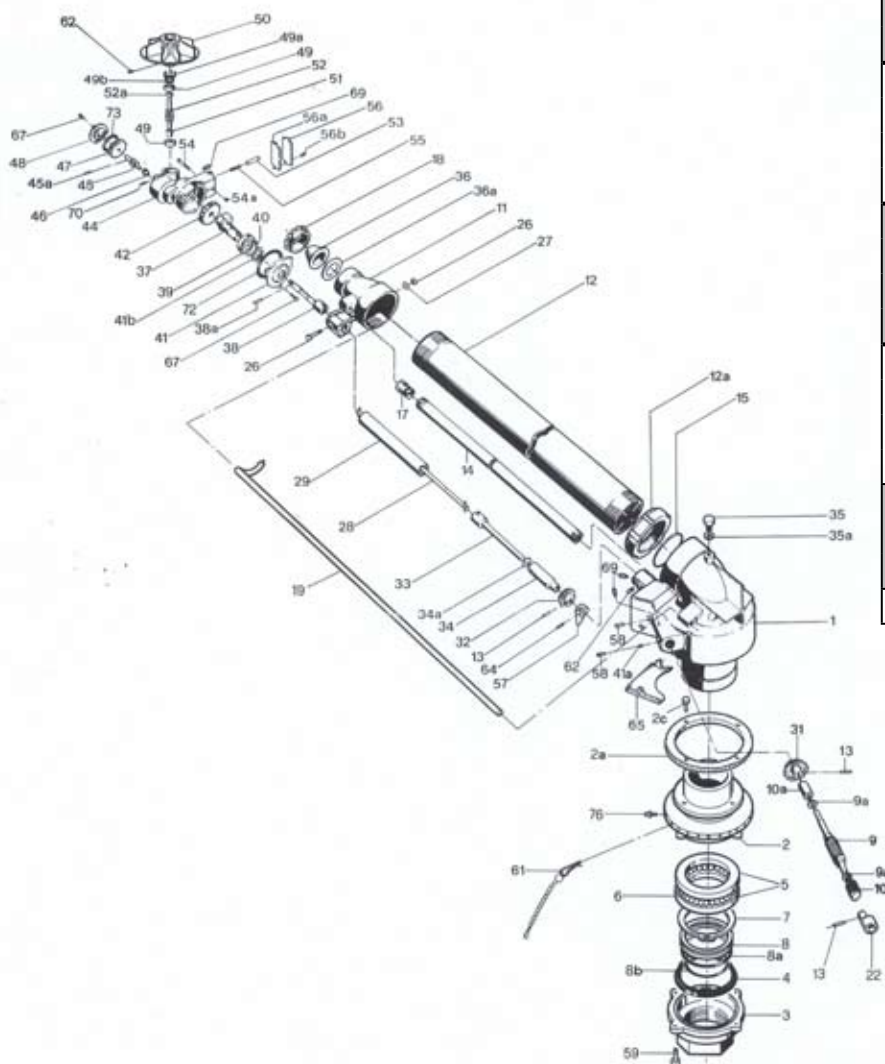
Product	Description	Part Number	Weight	List Price
MERCURY (P-202)	Mercury w/nozzle part	7-0304	22.0	640.00



*w/2" FPT base
Included 5 flip nozzles for 22° & 28° angles
146' - 280' Diameter

Mercury 202 28 Degree				
Nozzle Diameter		Pressure	Diameter	Discharge
Inch	MM	PSI	Feet	GPM
0.4	10	29	120	23
		37	132	26
		44	136	28
		56	150	33
0.47	12	29	144	42
		44	164	51
		56	184	59
		70	202	66
0.55	14	29	156	51
		44	176	66
		56	196	76
		70	216	86
0.63	16	29	170	68
		44	190	83
		56	208	96
		70	228	107
0.71	18	44	184	105
		56	200	119
		70	216	130
		85	250	170
0.78	20	44	208	142
		56	228	165
		70	250	180
		85	276	203
0.86	22	44	220	161
		56	238	186
		70	262	209
		85	280	228
0.94	24	44	248	167
		56	262	193
		70	282	215

Deduct 2% for 25 deg and 5% for 22 deg nozzles.



MERCURY GEAR DRIVE SPRINKLERS

ITEM #	DESCRIPTION	PART #	LIST PRICE
	Mercury		
1	Sprinkler Body	30681	\$262.50
2	Crown	10443	154.00
2a	Toothed Ring	30683	59.10
2c	Screw	30220	0.30
3	Body Support	30684	78.80
4	U-Packing	30685	8.30
5	Ball Bearing Ring	30686	26.00
6	Sphere (30 required)	30077	0.20
7	Fastener Ring	30687	4.60
8	U-Packing Ring	30688	22.30
8a	External O-Ring	30689	3.10
8b	Internal O-Ring	30690	2.60
9	Endless Screw Body	30691	61.30
9a	Washer	30080	1.30
10	Threaded Bearing	10397	12.70
010a	Internal Bearing	10395	8.80
11	Pipe Head	30693	76.50
12	Complete Principal Pipe	10377-S	196.90
12	Principal Pipe	20098	83.10
12a	Ferrule For Pipe	30527	29.70
13	Elastic Pin	30208	0.20
15	O-Ring	30588	2.20
17	Secondary Nozzle	30087	6.20
18	Nozzle Lock Ring	30211	4.90
19	Jet Breaker Bar	20096	43.70
21	Stream Breaker Lever	10147	56.90
21a	Screw	30091	0.60
22	Camme	30871	2.80
23	Screw For Lever	30093	6.90
24	Nut For Lever	30094	2.60
26	Screw	30229	1.40
26a	Nut	30232	0.40
27	Washer	30230	0.30
28	Shafting Bar	20097	8.90
29	Shafting Bar Cover	20144	8.90
30	Spring For Lever	30697	3.70
31	Lateral Bevel Pinion	30098	33.50
32	Central Bevel Pinion	30099	26.30
33	Shaft	10083-S	24.10
34	Shaft Bearing	10401-S	18.40
34a	Washer	30223	0.80
35	Plug	30102	6.20
35a	Washer	30103	0.30
36	Nozzle, Standard 25 Deg, 10Mm (.40")	30566-10	10.50
36	Nozzle, Standard 25 Deg, 12Mm (.47")	30566-12	10.50
36	Nozzle, Standard 25 Deg, 14Mm (.55")	30566-14	10.50
36	Nozzle, Standard 25 Deg, 16Mm (.63")	30566-16	10.50
36	Nozzle, Standard 25 Deg, 18Mm (.71")	30566-18	10.50
36	Nozzle, Standard 25 Deg, 20Mm (.78")	30566-20	10.50
36	Nozzle, Standard 25 Deg, 22Mm (.86")	30566-22	10.50

ITEM #	DESCRIPTION	PART #	LIST PRICE
36	Nozzle, Standard 25 Deg, 24Mm (.94")	30566-24	\$10.50
36a	Packing For Nozzle	30567	0.90
36i	Nozzle, Flip 22/28 Deg, 10Mm (.40")	3010354-10	10.50
36i	Nozzle, Flip 22/28 Deg, 12Mm (.47")	3010354-12	10.50
36i	Nozzle, Flip 22/28 Deg, 14Mm (.55")	3010354-14	10.50
36i	Nozzle, Flip 22/28 Deg, 16Mm (.63")	3010354-16	10.50
36i	Nozzle, Flip 22/28 Deg, 18Mm (.71")	3010354-18	10.50
36i	Nozzle, Flip 22/28 Deg, 20Mm (.78")	3010354-20	10.50
36i	Nozzle, Flip 22/28 Deg, 22Mm (.86")	3010354-22	10.50
36i	Nozzle, Flip 22/28 Deg, 24Mm (.94")	3010354-24	10.50
37	Gearbox Support	10411	30.60
38	Gearbox Shaft	30106	17.50
38a	Elastic Pin	30196	0.40
39	Ball Bearing	30198	20.20
40	Du-Bearing For Gearbox	30677	6.90
41	Cover	30207	6.90
41a	Plug	30108	0.50
42	Gearbox Gear	30109	14.90
43	Grub Screw	30160	0.80
44	Complete Gearbox	10061	319.30
44	Gearbox	30169	40.30
45	Complete Pinion	10365-S	35.00
45	Pinion	30192	11.20
45a	Pin For Pinion	30193	0.40
46	Pinion Bearing	30182	2.50
47	Toothed Wheel	30191	20.60
48	Cover With Bearing	10378	11.40
49	Bearing House	10293	26.30
49a	Du-Bearing	30189	6.90
50	Propeller	30112	26.30
51	Blind Bearing	30190	9.90
52	Endless Screw	30628	35.00
53	Spring House	30201	5.10
54	Screw	30199	0.80
54a	Nut	30200	0.20
55	Inversion Spring	30113	2.00
56	Cover	30204	2.80
57	Inversion Lever	30184	8.00
58	Grub Screw	30118	0.80
59	Screw	30559	1.80
60	Ring	30699	5.20
61	Inversion Cotter Pin	10086-S	10.30
62	Grub Screw	30118	0.80
64	Grub Screw	30219	1.20
65	Inversion Lever Cover	30120	5.20
67	Screw	30220	0.30
69	Grease Nipple	30233	0.90
70	Grease Nipple	30231	1.80
71	Grub Screw	30187	0.80
76	Grease Nipple	30234	2.20

Gun Stands/Sprinklers

BIG RIVER GEAR DRIVE SPRINKLERS

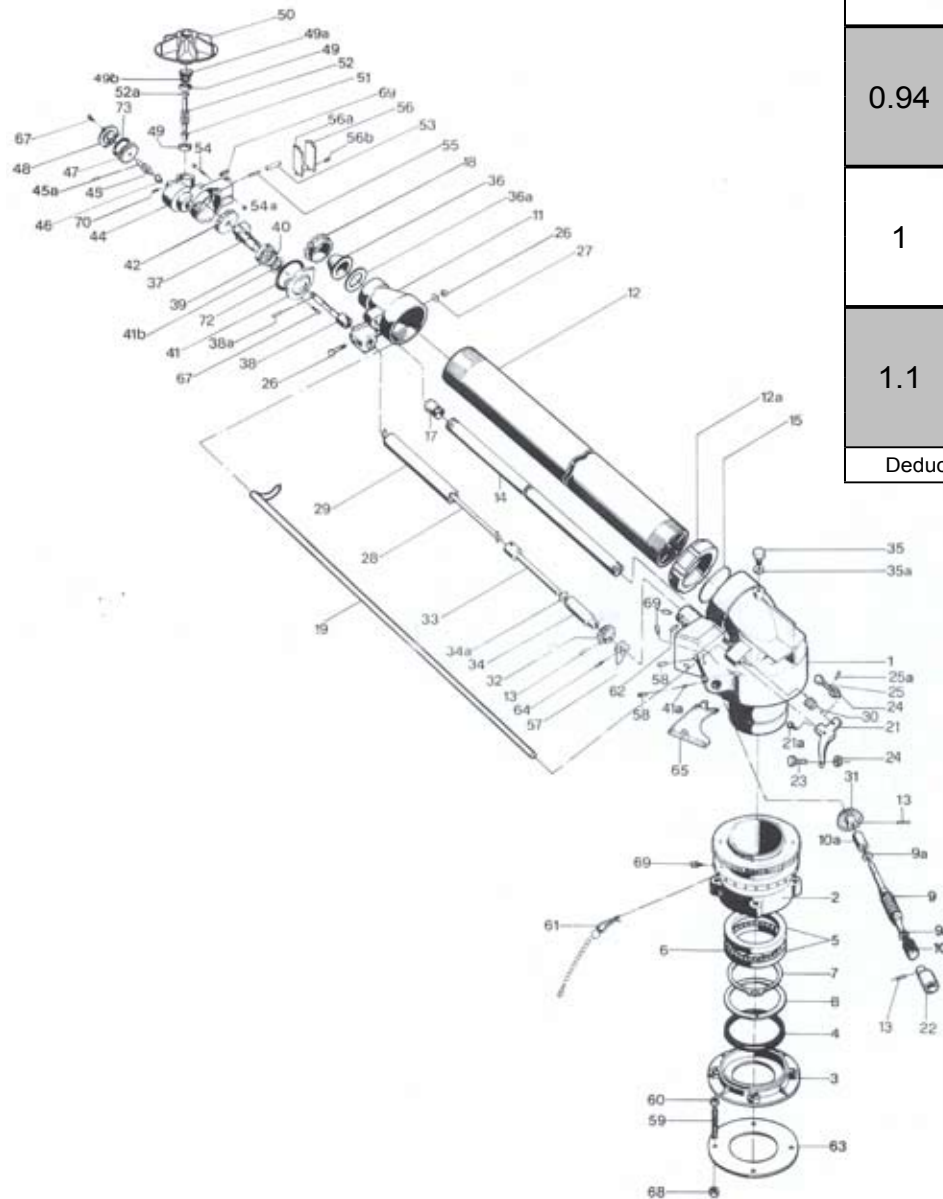


Product	Description	Part Number	Weight	List Price
BIG RIVER (P-250)	Big River w/nozzle-Green	part 7-0305	30.0	995.00

*Companion flange included.



72 & 116mm flange base (companion flange included.)
Includes 5 flip nozzles for 22° & 28° angles
238' - 354' Diameter



Big River 250 28 Degree				
Nozzle Diameter	Pressure	Diameter	Discharge	
Inch	MM	PSI	Feet	GPM
0.71	18	44	196	119
		56	214	139
		70	230	124
		85	250	170
0.78	20	44	238	137
		56	264	159
		70	282	178
		85	300	194
0.86	22	56	268	186
		66	282	197
		70	294	208
		85	314	228
0.94	24	56	282	217
		66	294	230
		70	308	243
		85	328	266
1	26	56	294	250
		70	314	380
		85	338	307
		100	346	330
1.1	28	56	302	286
		70	320	319
		85	340	350
		100	354	378

Deduct 2% for 25 deg and 5% for 22 deg nozzles.

BIG RIVER GEAR DRIVE SPRINKLERS

ITEM #	DESCRIPTION	PART #	LIST PRICE
	Big River		
1	Sprinkler Body	30070	\$382.70
010a	Internal Bearing	10395	8.80
2	Crown	10077-S	192.50
3	Body Support	10080-S	113.70
4	U-Packing 90X76X8	30075	13.60
5	Ball Bearing Ring	30076	32.30
6	Sphere (43 required)	30077	0.20
7	Fastener Ring D. 78	30078	8.10
8	U-Packing Ring	30079	7.20
9	Endless Screw Body	30596	78.80
9a	Washer	30080	1.30
10	Threaded Bearing	10394	14.00
11	Pipe Head	30083	119.90
12	Complete Principal Pipe	10376	258.10
12	Principal Pipe	20022	105.00
12a	Ferrule For Pipe	30084	44.90
13	Elastic Pin	30208	0.20
14	Secondary Pipe	20094	28.40
15	O-Ring For Pipe	30085	2.70
16	Elastic Pin	30086	0.20
17	Secondary Nozzle	30125	7.20
18	Nozzle Lock Ring	30056	15.10
19	Jet Breaker Bar	10090-S	65.00
20	Stream Breaker Bearing	30181	4.40
21	Stream Breaker Lever	10056	67.80
21a	Screw	30091	0.60
22	Camme	30092	11.80
23	Screw For Lever	30093	6.90
24	Nut For Lever	30094	2.60
25	Lever Upper Screw	30095	6.90
25a	Elastic Pin	30096	0.20
26	Screw	30229	1.40
26a	Nut	30232	0.40
27	Washer	30230	0.30
28	Shafting Bar	20024	13.20
29	Shafting Bar Cover	20025-S	13.20
30	Spring For Lever	30059	5.10
31	Lateral Bevel Pinion	30098	33.50
32	Central Bevel Pinion	30099	26.30
33	Shaft	10083-S	24.10
34	Shaft Bearing	10401-S	18.40
34a	Washer	30223	0.80
35	Plug	30102	6.20
35a	Washer	30103	0.30
36	Nozzle, Standard 25 Deg, 18Mm (.71")	30063-18	10.50
36	Nozzle, Standard 25 Deg, 20Mm (.78")	30063-20	10.50
36	Nozzle, Standard 25 Deg, 22Mm (.86")	30063-22	10.50
36	Nozzle, Standard 25 Deg, 24Mm (.94")	30063-24	10.50
36	Nozzle, Standard 25 Deg, 26Mm (1")	30063-26	10.50
36	Nozzle, Standard 25 Deg, 28Mm (1.10")	30063-28	10.50

ITEM #	DESCRIPTION	PART #	LIST PRICE
36	Nozzle, Standard 25 Deg, 30Mm (1.2")	30063-30	\$10.50
36a	Packing For Nozzle	30064	1.20
36i	Nozzle, Flip 22/28 Deg, 18Mm (.71")	3010448-18	10.50
36i	Nozzle, Flip 22/28 Deg, 20Mm (.78")	3010448-20	10.50
36i	Nozzle, Flip 22/28 Deg, 22Mm (.86")	3010448-22	10.50
36i	Nozzle, Flip 22/28 Deg, 24Mm (.94")	3010448-24	10.50
36i	Nozzle, Flip 22/28 Deg, 26Mm (1")	3010448-26	10.50
36i	Nozzle, Flip 22/28 Deg, 28Mm (1.10")	3010448-28	10.50
37	Gearbox Support	10411	30.60
38	Gearbox Shaft	30106	17.50
38a	Elastic Pin	30196	0.40
39	Ball Bearing	30198	20.20
40	Du-Bearing For Gearbox	30677	6.90
41	Cover	30207	6.90
41a	Plug	30108	0.50
42	Gearbox Gear	30109	14.90
43	Grub Screw	30110	0.80
44	Complete Gearbox	10061	319.30
44	Gearbox	30169	40.30
45	Complete Pinion	10365-S	35.00
45	Pinion	30192	11.20
45a	Pin For Pinion	30193	0.40
46	Pinion Bearing	30182	2.50
47	Toothed Wheel	30191	20.60
48	Cover With Bearing	10378	11.40
49	Bearing House	10293	26.30
49a	Du-Bearing	30189	6.90
50	Propeller	30112	26.30
51	Blind Bearing	30190	9.90
52	Endless Screw	30628	35.00
53	Spring House	30201	5.10
54	Screw	30199	0.80
54a	Nut	30200	0.20
55	Inversion Spring	30113	2.00
56	Cover	30204	2.80
57	Inversion Lever	30184	8.00
58	Grub Screw	30114	0.80
59	Stud Bolt	30115	2.20
60	Nut M 10X6	30116	0.40
61	Inversion Cotter Pin	10087-S	10.90
62	Grub Screw	30118	0.80
63	Body Support Packing	30119	7.20
64	Grub Screw	30219	1.20
65	Inversion Lever Cover	30120	5.20
67	Screw	30220	0.30
68	Nut M10X10	30121	0.70
69	Grease Nipple	30233	0.90
70	Grease Nipple	30231	1.80
71	Grub Screw	30187	0.80
76	Grease Nipple	30233	0.90

Gun Stands/Sprinklers

MARINER GEAR DRIVE SPRINKLERS



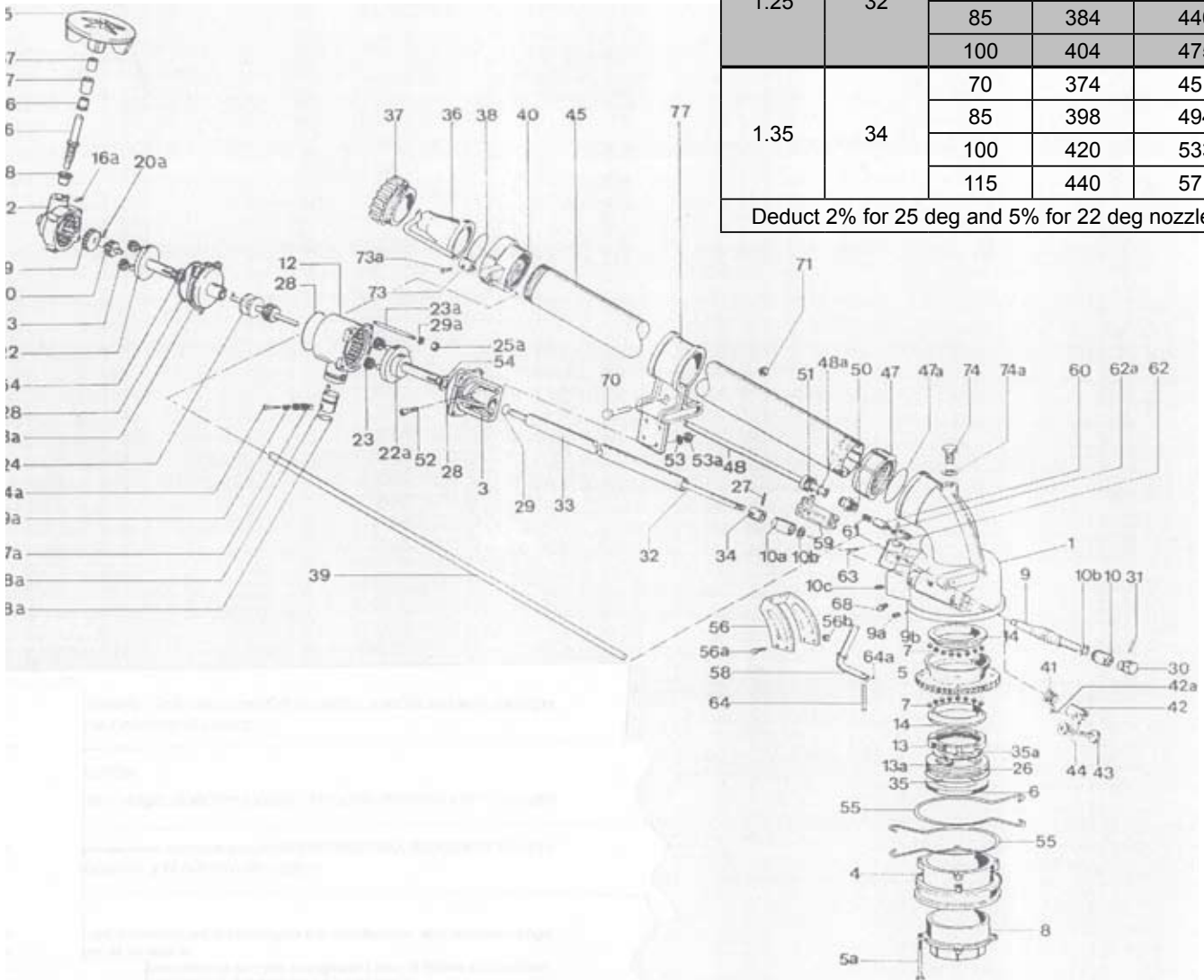
Product	Description	Part Number	Weight	List Price
MARINER (P-401)	Mariner w/nozzle-Green high speed part	7-0306	40.0	1,075.00



w/2 1/2" FTP base
Includes 5 flip nozzles for 22° & 28° angles
274' - 440' Diameter

Mariner 401 28 Degree				
Nozzle Diameter	Pressure	Diameter	Discharge	
Inch	MM	PSI	Feet	GPM
1	26	44	274	173
		56	308	211
		70	336	244
		85	354	273
1.1	28	44	294	242
		56	320	280
		70	340	313
		85	362	343
1.2	30	56	382	319
		70	354	356
		85	374	390
		100	398	421
1.25	32	56	340	359
		70	368	402
		85	384	440
		100	404	475
1.35	34	70	374	451
		85	398	494
		100	420	533
		115	440	571

Deduct 2% for 25 deg and 5% for 22 deg nozzles.



MARINER GEAR DRIVE SPRINKLERS

ITEM #	DESCRIPTION	PART #	LIST PRICE
	Mariner		
1	Sprinkler Body	10403-S	\$437.40
2	Complete Gearbox	10282	437.40
2	Gearbox	30737	40.30
3	Gearbox Cover	301041	19.70
3a	Cover	301042	26.30
4	Body Support	30862	102.80
5	Crown	30863	100.60
5a	Screw	30945	1.60
5b	Ring Body Support	3010385	52.00
5c	Ring	3010363	80.10
6	U-Packing Crown	30864	13.20
7	Sphere (52 required)	30048	0.40
8	Threaded Body Support	30865	95.80
9	Endless Screw	30866	70.70
9a	Grub Screw	30160	0.80
9b	Plug	30108	0.50
10	Threaded Bearing	10394	14.00
010a	Internal Bearing	10404-S	9.40
10b	Washer	30080	1.30
10c	Grub Screw	30114	0.80
11	Pinion Bearing	30748	2.50
12	Gearbox Central Body	301050	76.60
13	Threaded Ring For Crown	30868	40.30
13a	Screw	301014	1.30
14	Ball Bearing Ring	30869	43.70
15	Propeller	301054	28.40
16	Endless Screw	30831	35.00
16a	Grub Screw	30187	0.80
17	Bearings House	10293	26.30
17a	Lever	301055	12.20
18	Blind Bearing	30190	9.90
018a	Bush	10294	32.60
19	Crown	30833	20.60
19a	Spring	30817	1.40
20	High Speed Pinion	30836	19.70
20a	Pin For Pinion	30193	0.40
22	Planetary	10285	30.20
022a	Second Planetary	10286	106.10
23	High Speed Gear	30835	2.80
23a	Stud Bolt	301060	4.90
24	Pinion	10287-S	51.00
24a	Screw 6X30	30965	2.20
25a	Nut	30270	0.70
26	O-Ring	30870	21.90
28	O-Ring 2237	30613	1.30
28a	O-Ring 123	301064	0.40
29	O-Ring 121	30678	0.50
29a	Washer Inox	30532	0.70
30	Cam	30695	2.60
31	Elastic Pin	30208	0.20
32	Shafting Bar	20142	8.50
33	Shafting Bar Cover	20145	8.50
35	O-Ring 3300	30946	3.20
35a	O-Ring 3262	30947	2.50
36	Nozzle, Standard 25 Deg, 26Mm (1")	30063-26	10.50
36	Nozzle, Standard 25 Deg, 28Mm (1.10")	30063-28	10.50
36	Nozzle, Standard 25 Deg, 30Mm (1.2")	30063-30	10.50
36	Nozzle, Standard 25 Deg, 32Mm (1.25")	30063-32	10.50

ITEM #	DESCRIPTION	PART #	LIST PRICE
36	Nozzle, Standard 25 Deg, 34Mm (1.35")	30063-34	\$10.50
36i	Nozzle, Flip 22/28 Deg 26Mm (1")	3010448-26	10.50
36i	Nozzle, Flip 22/28 Deg 28Mm (1.10")	3010448-28	10.50
36i	Nozzle, Flip 22/28 Deg 30Mm (1.2")	3010448-30	10.50
36i	Nozzle, Flip 22/28 Deg, 32Mm (1.25")	3010448-32	10.50
36i	Nozzle, Flip 22/28 Deg, 34Mm (1.35")	3010448-34	10.50
37	Nozzle Lock Ring	30056	15.10
38	Packing For Nozzle O-Ring 3218	30064	1.20
39	Jet-Breaker	10189-S	61.30
40	Pipe-Head	30874	57.30
41	Jet Breaker Spring	30875	3.80
42	Jet-Breaker Lever	10190	54.70
42a	Screw 6X10	30091	0.60
43	Screw For Lever	30093	6.90
44	Nut For Lever	30094	2.60
45	Principal Pipe	20127	98.40
46	Screw	30767	0.20
47	Locking Ring For Pipe	30877	38.60
47a	O-Ring 3225	30949	2.50
48	Secondary Pipe	20112	21.50
48a	O-Ring 17,6X10X3,8	30734	0.70
50	Secondary Nozzle	30878	21.60
51	Ferrule	30771	12.40
52	Screw 6X25	30500	0.90
53	Washer Grower D. 6	30557	0.70
53a	Nut 6X5	30511	0.70
54	Washer	30773	1.20
55	Inversion Ring	30879	23.30
56	Cover For Lever	30968	13.90
56a	Screw 4X30	30973	1.00
56b	Nut 4Ma	30839	0.40
58	Central Shaft	10188	28.40
59	Inversion Fork	10366	38.10
59a	Pin For Fork	30778	0.80
60	Spring House	30779	8.40
61	Inversion Spring	301093	2.80
62	Vice For Inversion Lever	10295	34.80
62a	Pin For Vice	30782	0.90
63	Screw 5X16	30783	0.40
64a	Spring For Bolt	30785	0.70
65	Inversion Lever Bearing	30880	3.50
66	Du-Bearing For Gearbox	30677	6.90
67	Du-Bearing	30189	6.90
68	Grease Nipple	30233	0.90
70	Screw 8X25	30426	1.50
71	Nut 8X6	30475	0.60
72	Grub Screw	30724	0.70
73a	Elastic Pin	30086	0.20
74	Plug	30102	6.20
74a	Washer	30103	0.30
76	Fastener Ring	30049	13.10
77	Gearbox Support	301091	66.10
78	Spring	3010358	1.80
78a	Spacer	3010359	2.80
79	Shafting Bar	3010360	4.10
79a	Washer	3010361	0.70
79b	Prisoner	3010362	6.90

Gun Stands/Sprinklers

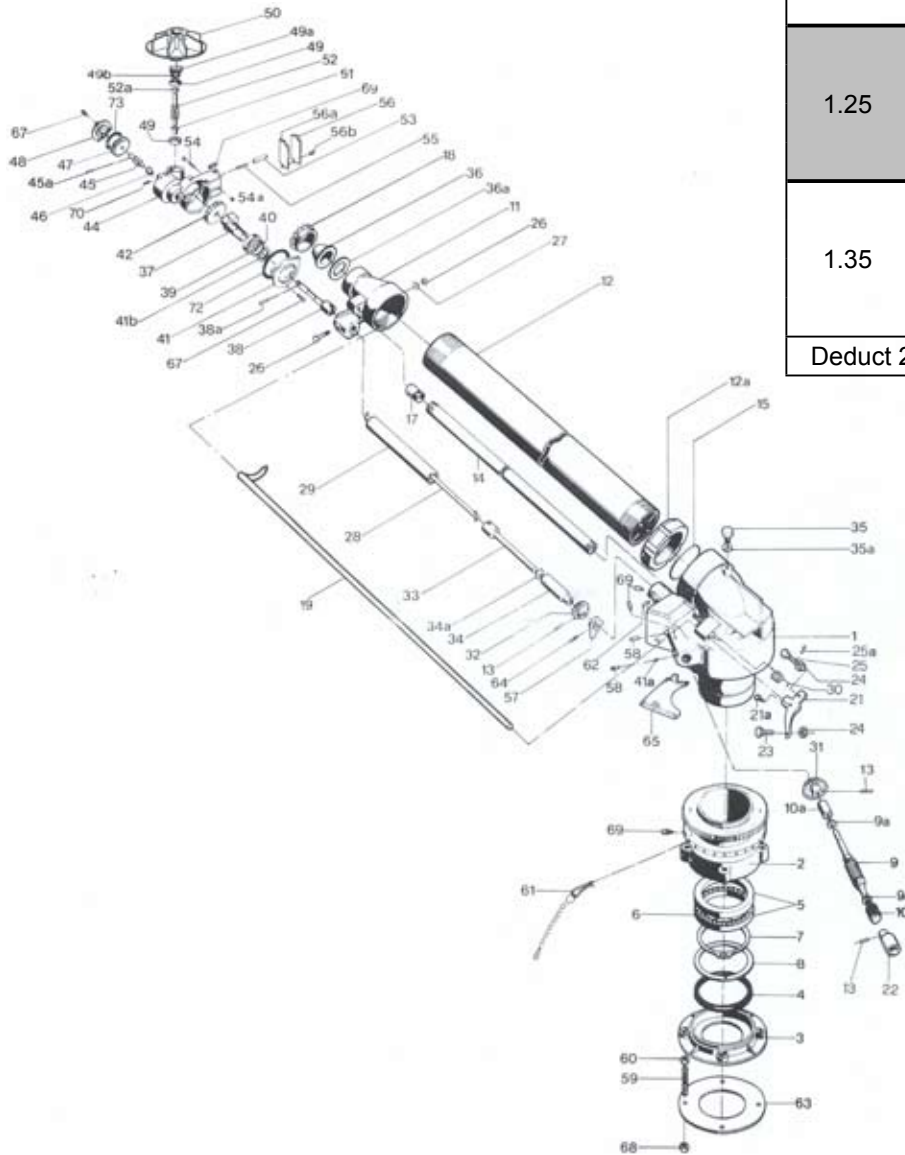
POLARIS GEAR DRIVE SPRINKLERS



Product	Description	Part Number	Weight	List Price
POLARIS (P-200)	Polaris	part 7-0326	32.7	1,125.00



90 & 150mm flange connection (companion flange included)
Includes 5 flip nozzles for 22° & 28° angles
302' - 418' Diameter



Polaris 200 28 Degree				
Nozzle Diameter		Pressure Diameter		
Inch	MM	PSI	Feet	GPM
1	26	56	302	263
		70	230	295
		85	340	323
		100	362	348
1.1	28	56	314	300
		70	328	324
		85	354	366
		100	380	395
1.2	30	56	320	338
		70	340	378
		85	368	414
		100	384	446
1.25	32	70	362	423
		85	380	464
		100	394	500
		115	404	536
1.35	34	70	374	472
		85	394	517
		100	404	558
		115	418	598

Deduct 2% for 25 deg and 5% for 22 deg nozzles.

POLARIS GEAR DRIVE SPRINKLERS

ITEM #	DESCRIPTION	PART #	LIST PRICE
	Polaris		
1	Sprinkler Body	30070	\$382.70
2	Crown	10076	223.00
3	Body Support	10079	135.60
4	U-Packing 117X98X11	30046	16.20
5	Ball Bearing Ring	30047	39.30
6	Sphere (36 required)	30048	0.40
7	Fastener Ring	30049	13.10
8	U-Packing Ring	30050	8.10
9	Endless Screw Body	30596	78.80
9a	Washer	30080	1.30
10	Threaded Bearing	10394	14.00
010a	Internal Bearing	10396	12.20
11	Pipe Head	30052	140.00
12	Complete Principal Pipe	10375-S	288.70
12	Principal Pipe	20013	131.20
12a	Threaded Ring For Pipe	30053	59.10
13	Elastic Pin	30208	0.20
14	Secondary Pipe	20014	35.00
15	O-Ring For Pipe	30054	6.20
16	Elastic Pin	30208	0.20
17	Secondary Nozzle	30125	7.20
18	Nozzle Lock Ring	30056	15.10
19	Jet Breaker Bar	10089-S	85.30
20	Stream Breaker Bearing	30057	4.40
21	Stream Breaker Lever	10058	67.80
21a	Screw	30091	0.60
22	Camme	30092	11.80
23	Screw For Lever	30093	6.90
24	Nut For Lever	30094	2.60
25	Lever Upper Screw	30095	6.90
25a	Elastic Pin	30096	0.20
26	Screw	30229	1.40
26a	Nut	30232	0.40
27	Washer	30230	0.30
28	Shafting Bar	20016	15.70
29	Shafting Bar Cover	20017	16.20
30	Spring For Lever	30059	5.10
31	Lateral Bevel Pinion	30060	39.80
32	Central Bevel Pinion	30061	29.10
33	Shaft	10082	28.00
34	Shaft Bearing	10399	21.90
34a	Washer	30223	0.80
35	Plug	30102	6.20
35a	Washer	30103	0.30
36	Nozzle, Standard 25 Deg, 26Mm (1")	30063-26	10.50
36	Nozzle, Standard 25 Deg, 28Mm (1.10")	30063-28	10.50
36	Nozzle, Standard 25 Deg, 30Mm (1.2")	30063-30	10.50
36	Nozzle, Standard 25 Deg, 32Mm (1.25")	30063-32	10.50

ITEM #	DESCRIPTION	PART #	LIST PRICE
36	Nozzle, Standard 25 Deg, 34Mm (1.35")	30063-34	\$10.50
36a	Packing For Nozzle	30064	1.20
36i	Nozzle, Flip 22/28 Deg 26Mm (1")	3010448-26	10.50
36i	Nozzle, Flip 22/28 Deg 28Mm (1.10")	3010448-28	10.50
36i	Nozzle, Flip 22/28 Deg 30Mm (1.2")	3010448-30	10.50
36i	Nozzle, Flip 22/28 Deg, 32Mm (1.25")	3010448-32	10.50
36i	Nozzle, Flip 22/28 Deg, 34Mm (1.35")	3010448-34	10.50
37	Gearbox Support	10411	30.60
38	Gearbox Shaft	30106	17.50
38a	Elastic Pin	30196	0.40
39	Ball Bearing	30198	20.20
40	Du-Bearing For Gearbox	30677	6.90
41	Cover	30207	6.90
41a	Plug	30108	0.50
42	Gearbox Gear	30109	14.90
43	Grub Screw	30160	0.80
44	Complete Gearbox	10060	319.30
44	Gearbox	30169	40.30
45	Complete Pinion	10365-S	35.00
45	Pinion	30192	11.20
45a	Pin For Pinion	30193	0.40
46	Pinion Bearing	30182	2.50
47	Toothed Wheel	30191	20.60
48	Cover With Bearing	10378	11.40
49	Bearing House	10293	26.30
49a	Du-Bearing	30189	6.90
50	Propeller	30112	26.30
51	Blind Bearing	30190	9.90
52	Endless Screw	30628	35.00
53	Spring House	30201	5.10
54	Screw	30199	0.80
54a	Nut	30200	0.20
55	Inversion Spring	30066	2.10
56	Cover	30204	2.80
57	Inversion Lever	30184	8.00
58	Grub Screw	30118	0.80
59	Stud Bolt	30115	2.20
60	Nut M 10X6	30116	0.40
61	Inversion Cotter Pin	10087-S	10.90
62	Grub Screw	30118	0.80
63	Body Support Packing	30068	10.10
64	Grub Screw	30219	1.20
65	Inversion Lever Cover	30069	7.60
67	Screw	30220	0.30
68	Nut M10X10	30121	0.70
69	Grease Nipple	30233	0.90
70	Grease Nipple	30231	1.80
71	Grub Screw	30187	0.80

Gun Stands/Sprinklers

GEMINI GEAR DRIVE SPRINKLERS



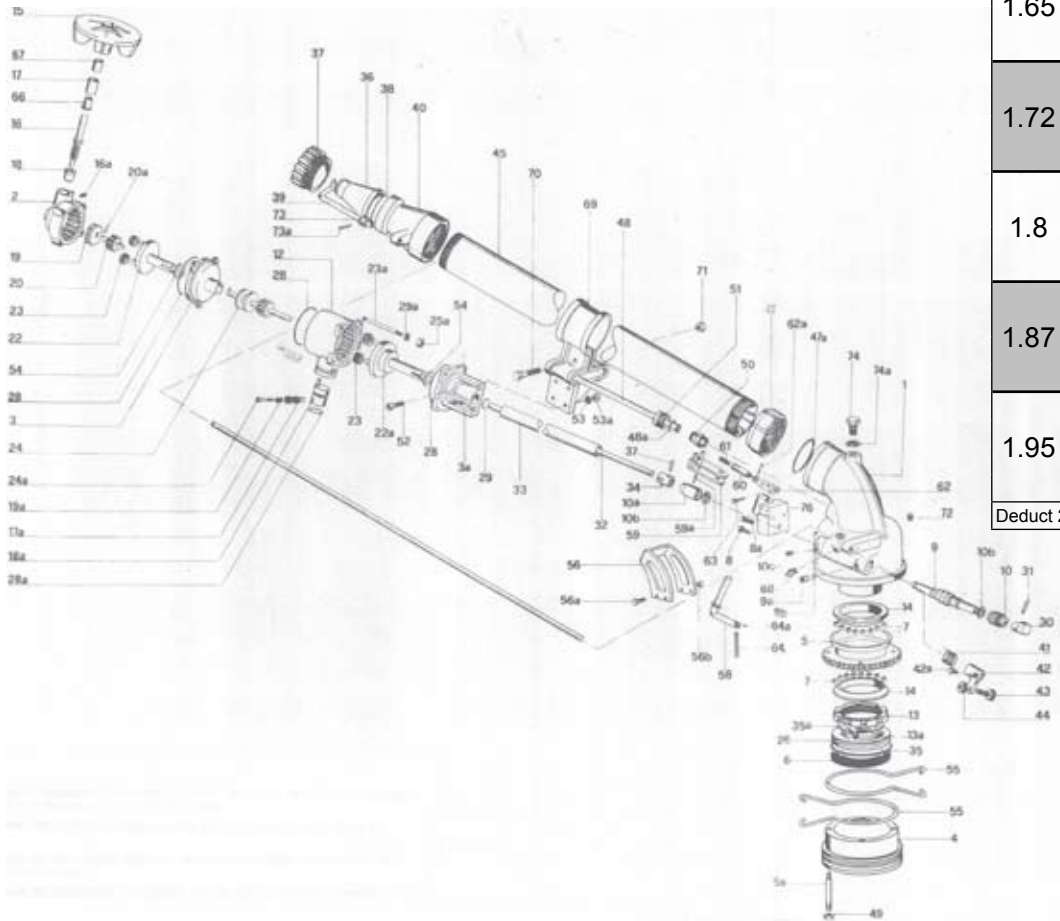
Product	Description	Part Number	Weight	List Price
GEMINI (P-600 / P-1200)	Gemini (2 speed high or low switch) part	7-0307	34.7	1,365.00



100 x 142mm flange connection (companion flange included)
 Includes 5 flip nozzles for 22° & 28° angles
 368' - 510' Diameter

Gemini 1200 28 Degree				
Nozzle	Diameter	Pressure	Diameter	Discharge
Inch	MM	PSI	Feet	GPM
1.2	30	56	328	319
		70	354	356
		85	374	390
		100	398	421
1.25	32	70	368	424
		85	384	464
		100	404	500
		115	426	536
1.35	34	70	380	472
		85	398	518
		100	420	558
		115	440	598
1.42	36	70	398	525
		85	420	574
		100	440	620
		115	458	664
1.5	38	85	434	635
		100	458	685
		115	472	733
		128	492	777
1.57	40	85	446	698
		100	472	753
		115	488	806
		128	510	855
1.65	42	88	460	717
		95	480	761
		100	500	783
		110	524	809
1.72	44	88	470	700
		95	480	730
		100	490	750
		110	500	810
1.8	46	88	474	825
		95	484	855
		100	494	875
		110	504	905
1.87	48	88	480	910
		95	490	940
		100	500	960
		110	510	995
1.95	50	88	500	925
		95	520	955
		100	540	1075
		110	570	1110

Deduct 2% for 25 deg and 5% for 22 deg nozzles.



GEMINI GEAR DRIVE SPRINKLERS

ITEM #	DESCRIPTION	PART #	LIST PRICE
	Gemini		
1	Sprinkler Body	301040	\$612.40
2	Complete Gearbox	10282	437.40
2	Gearbox	30737	40.30
3	Gearbox Cover	301041	19.70
3a	Cover	301042	26.30
4	Body Support	10390	215.60
5	Crown	301045	301.80
5a	Stud Bolt	301046	5.70
5b	Ring Body Support	3010365	65.60
5c	Ring	3010365	65.60
6	U-Packing Crown	301047	17.30
7	Sphere (74 required)	30048	0.40
8	Screw 6X15 T.E.	301083	0.90
8a	Screw 6X15 T.C.E.I.	301084	1.20
9	Endless Screw	301048	91.00
9a	Grub Screw	30160	0.80
9b	Plug	30108	0.50
10	Threaded Bearing	10394	14.00
010a	Internal Bearing	10404-S	9.40
10b	Washer	30080	1.30
10c	Grub Screw	30118	0.80
11	Pinion Bearing	30748	2.50
12	Gearbox Central Body	301050	76.60
13	Threaded Ring For Crown	301052	72.80
13a	Screw	301014	1.30
14	Ball Bearing Ring	301053	93.40
15	Propeller	301054	28.40
16	Endless Screw	30831	35.00
16a	Grub Screw	30187	0.80
17	Bearings House	10293	26.30
17a	Lever	301055	12.20
18	Blind Bearing	30190	9.90
018a	Bush	10294	32.60
19	Crown	30833	20.60
19a	Spring	30817	1.40
20	High Speed Pinion	30836	19.70
20a	Pin For Pinion	30193	0.40
21a	Pin	301058	1.50
22	Planetary	10285	30.20
022a	Second Planetary	10286	106.10
23	High Speed Gear	30835	2.80
23a	Stud Bolt	301060	4.90
24	Pinion	10287-S	51.00
24a	Screw 6X30	30965	2.20
25a	Nut	30270	0.70
26	O-Ring	301063	46.00
28	O-Ring 2237	30613	1.30
28a	O-Ring 123	301064	0.40
29	O-Ring 121	30678	0.50
29a	Washer Inox	30532	0.70
30	Cam	30695	2.60
31	Elastic Pin	30208	0.20
32	Shafting Bar	20161	9.60
33	Shafting Bar Cover	20156	9.60
35	O-Ring	301066	3.70
35a	O-Ring	301067	3.10
36	Nozzle, Standard 25 Deg, 30Mm (1.2")	30063-30	10.50
36	Nozzle, Standard 25 Deg, 32Mm (1.25")	30063-32	10.50
36	Nozzle, Standard 25 Deg, 34Mm (1.35")	30063-34	10.50
36	Nozzle, Standard 25 Deg, 36Mm (1.42")	30063-36	10.50
36	Nozzle, Standard 25 Deg, 38Mm (1.50")	30063-38	10.50
36	Nozzle, Standard 25 Deg, 40Mm (1.57")	30063-40	10.50
36	Nozzle, Standard 25 Deg, 42Mm (1.65")	30063-42	10.50
36	Nozzle, Standard 25 Deg, 44Mm (1.72")	30063-44	10.50
36	Nozzle, Standard 25 Deg, 46Mm (1.80")	30063-46	10.50
36	Nozzle, Standard 25 Deg, 48Mm (1.87")	30063-48	10.50
36	Nozzle, Standard 25 Deg, 50Mm (1.95")	30063-50	10.50

ITEM #	DESCRIPTION	PART #	LIST PRICE
36i	Nozzle, Flip 22/28 Deg, 30Mm (1.2")	3010448-30	\$10.50
36i	Nozzle, Flip 22/28 Deg, 32Mm (1.25")	3010448-32	10.50
36i	Nozzle, Flip 22/28 Deg, 34Mm (1.35")	3010448-34	10.50
36i	Nozzle, Flip 22/28 Deg, 36Mm (1.42")	3010448-36	10.50
36i	Nozzle, Flip 22/28 Deg, 38Mm (1.50")	3010448-38	10.50
36i	Nozzle, Flip 22/28 Deg, 40Mm (1.57")	3010448-40	10.50
36i	Nozzle, Flip 22/28 Deg, 42Mm (1.65")	3010448-42	10.50
36i	Nozzle, Flip 22/28 Deg, 44Mm (1.72")	3010448-44	10.50
36i	Nozzle, Flip 22/28 Deg, 46Mm (1.80")	3010448-46	10.50
36i	Nozzle, Flip 22/28 Deg, 48Mm (1.87")	3010448-48	10.50
36i	Nozzle, Flip 22/28 Deg, 50Mm (1.95")	3010448-50	10.50
37	Nozzle Lock Ring	30056	15.10
38	Packing For Nozzle O-Ring 3218	30064	1.20
39	Jet-Breaker	10288-S	139.50
40	Pipe-Head	301068	83.10
41	Jet Breaker Spring Lever	3010444	5.20
42	Jet-Breaker Lever	10190	54.70
42a	Screw 6X10	30091	0.60
43	Screw For Lever	30093	6.90
44	Nut For Lever	30094	2.60
45	Principal Pipe	20145	8.50
47	Locking Ring For Pipe	30053	59.10
47a	O-Ring	30054	6.20
48	Secondary Pipe	20159	32.30
48a	O-Ring	301069	0.80
49	Nut 10X6	30116	0.40
50	Secondary Nozzle	301070	22.90
51	Ferrule	301071	13.40
52	Screw 6X25	30500	0.90
53	Washer Grower D. 6	30557	0.70
53a	Nut 6X5	30511	0.70
54	Washer	30773	1.20
55	Inversion Ring	301072	31.00
58	Central Shaft	10289	31.00
59	Inversion Fork	10290	41.60
59a	Pin For Fork	301077	0.80
60	Spring House	301078	12.90
61	Inversion Spring	301079	4.20
62	Vice For Inversion Lever	10291	48.10
62a	Pin For Vice	30782	0.90
63	Screw 5X16	30783	0.40
64	Screw	3010181	4.10
64a	Spring For Bolt	30785	0.70
66	Du-Bearing For Gearbox	30677	6.90
67	Du-Bearing	30189	6.90
68	Grease Nipple	30233	0.90
69	Gerbox Support	3010181	4.10
70	Screw	30521	1.80
71	Nut 8X6	30475	0.60
72	Grub Screw	30724	0.70
73	Stream Breaker Bearing	30057	4.40
73a	Elastic Pin	30208	0.20
74	Plug	30102	6.20
74a	Washer	30103	0.30
75	Nut	30121	0.70
76	Levers Support	10292	76.60
77	Seeger	3010367	15.10
78	Spring	301016	2.10
79	Spacer	3010368	3.10
80	Shafting Bar	3010369	4.40
81	Washer	3010370	0.70
82	Prisoner	3010371	7.50
83	Flange	3010374	306.20
84	Gasket	3010372	5.20
85	Gasket	3010373	7.90
86	Nut	30270	0.70
87	Screw 10X35	3010375	1.70

Gun Stands/Sprinklers

Product	Description	Part Number	Weight	List Price
---------	-------------	-------------	--------	------------

Schumacher Irrigation is your source for find irrigation parts, and custom built irrigation fittings.

